

Sectional doors **UniTherm**



- | Torsion spring system operating life
20 thousand cycles
- | Galvanized structure
- | 60mm INNOVO panel
- | Heat transfer coefficient of the panel:
 $U_p=0,33 \text{ W/m}^2\text{K}$
- | Double rollers with bearings
- | Flexible panel joints
- | Double bottom seal

General

UniTherm garage door is available as standard in manual and automatic versions. The structure is made of galvanized components. The door leaf is constructed of a new generation INNOVO panels, 60 [mm] thick. The door features a safe torsion spring system.

General identification information

- The first symbol denotes the door type:

- sectional door

- The second symbol denotes the type of springs and rails:



Sp - torsion springs installed in the front at the lintel, double horizontal rails;

St - torsion springs installed at the end of horizontal rails, double horizontal rails;

Sj - torsion springs installed in the front at the lintel. The garage door with double horizontal rails (one active rail and one passive reinforcement rail).

- The third symbol denotes the design type:



Fig.1. UniTherm series door leaf – design: high and no ribs.

Door leaf

The door leaf consists of INNOVO panels available with the following heights: 495, 520, 526, 557, 589 [mm]. The panel height depends on the overall door height. In UniTherm doors, the door leaf is always made of uncut panels with a woodgrain internal texture and in the RAL 9002 colour.

INNOVO panel

Galvanized steel sheet panel, 60 [mm] thick, filled with freon-free polyurethane foam. The heat transfer coefficient for INNOVO panels is 0.33 [W/m²K].

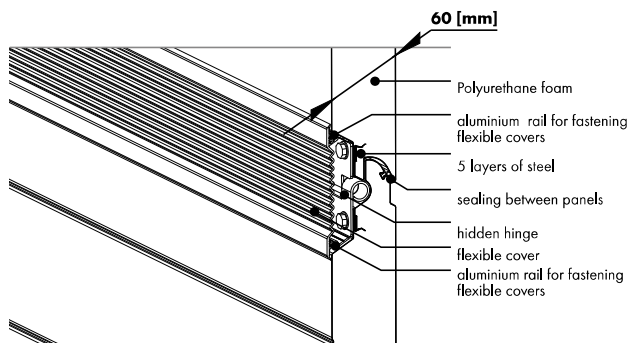


Fig.2. Vertical section of the steel panel for UniTherm doors.

Panel texture

- Smoothgrain** - the texture is smooth with micro impressions.
- Sandgrain** - the texture imitates fine sand.
- Silkline** - the texture is smooth.

Note ! The marks on the panels which appear during use result from natural wear and are not covered by warranty.

⁽¹⁾ - Panels w/o ribs only

Colours

Depending on the panel texture, the UniTherm door leaf is finished in the following external colours. The inside surface of the leaf is woodgrain, in the RAL 9002 colour.

colour	Without ribs High ribs		
	Smoothgrain	Sandgrain	Silkline
golden oak	●	—	—
nut brown	●	—	—
anthracite	—	●	—
RAL 9016 (traffic white)	—	—	●
RAL 7016 (anthracite grey)	—	—	●
Other RAL (coated)	—	—	●
Veneer ⁽¹⁾	●	—	—
Home Inclusive 2.0	HI SMOKE GREEN	—	—
	HI WILLOW GREEN	—	—
	HI FERN GREEN	—	—
	HI DEEP GREEN	—	—
	HI COMFORT GREY	—	—
	HI WARM STONE	—	—
	HI QUARTZ GREY	—	—
	HI BROWN STONE	—	—
	HI TRULE BLUE	—	—
	HI MARINA HORIZON	—	—
	HI ANTHRACITE	—	—
	HI MODERN GRAPHITE	—	—
	HI MOODY CORAL	—	—
HI FLAME RED	—	—	
HI MODERN MAROON	—	—	
HI DEEP BROWN	—	—	

Tab. 1. The textures and colours of panels without ribs and with high ribs for UniTherm door series. See page 6 for more information.

● Available — Unavailable

Framework / rails

The framework and the rails are made of galvanized steel components. The shape of the rails prevents derailing of the double bearing rollers. The shape of the rails prevents derailing of the double bearing rollers. The shape of the rails prevents derailing of the double bearing rollers. The shape of the rails prevents derailing of the double bearing rollers. The shape of the rails prevents derailing of the double bearing rollers.

Covers / hinges

The panel end covers are made of galvanized steel sheet. Double regulated carriage rollers are set in galvanized steel hinges placed under special covers.

Additional suspension bracket

If the headroom in the room where the door is installed exceeds 400 [mm], additional suspension brackets are required. In the case of rooms with the headroom of over 900 [mm], a special reinforcing framework is required. The brackets are available in sets of 4 units.

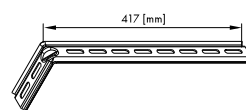


Fig.3. L-type bracket (art no. 50649).

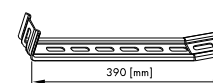


Fig.4. C-type bracket (art. no. 50993).

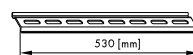


Fig.5. I-type bracket (art. no. 50691).

Door lock / handle

The door lock features a single-sided standard cylinder which can be accessed from the outside (three keys included); the lock is operated with a bolt on the inside.

The lock in UniTherm doors is available as an option.

The KL-2 handle with plate made of plastic material is installed on the door outside leaf. On the inside, the black plastic handle is installed.

The KL-2 handle is available in the following colours:

- **MAT** - RAL 9005 (jet black), RAL 9016 (traffic white), RAL 8014 (sepia brown).
- **GLOSS** - RAL 9006 (white aluminium), RAL 1036 (pearl gold), RAL 1035 (pearl beige), RAL 7048 (pearl mouse grey).

Auxiliary suspension bar

Brackets can be used instead of the standard clamp in the middle of the horizontal track. An adjustment of ± 250 mm from the standard position makes it possible to avoid e.g. the lintel beam. The bracket kit includes 2 pieces.

Brackets cannot be used with the following doors: UniPro with S_j, StA and SpA tracks, UniPro Nano80, and PRIME.

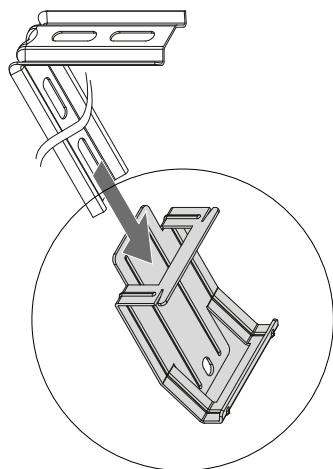
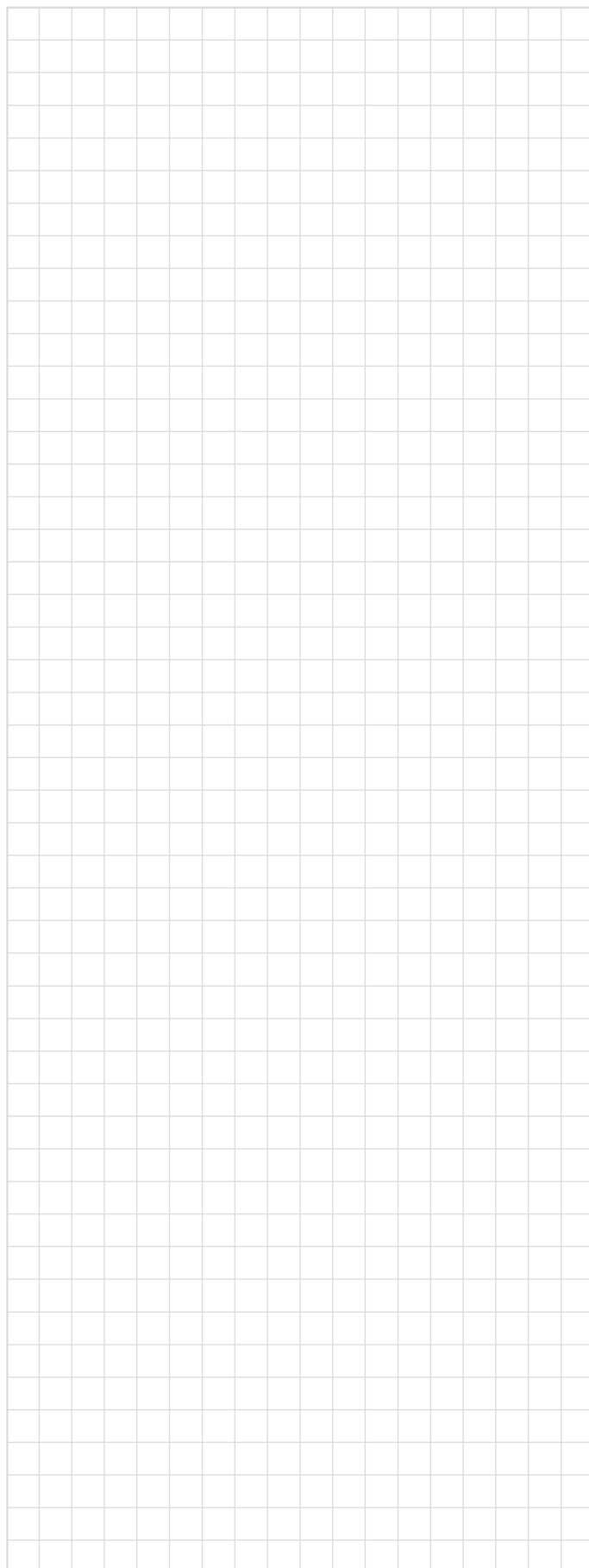



Fig.6. Adjusted suspension bar brackets



Decorative motifs

Decorative motif designs are available for the standard UniPro dimensions with a panel without the  ribs in smoothgrain, sandgrain, and silkline structure. The components are made of stainless steel with satin finish. They cannot be coated. Vertical alignment. Doors without handle – left or right-hand version; doors with handle – opposite side of the handle. Doors with central handle – left or right-hand version. Location on the panel: ~ 150 [mm] from opening edge.

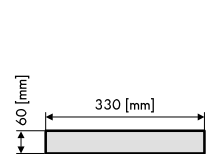


Fig. 7. Type AP-1.

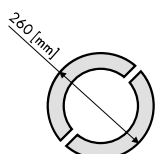


Fig. 8. Type AP-2.

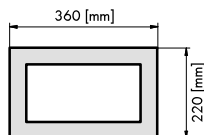


Fig. 9. Type AP-4.

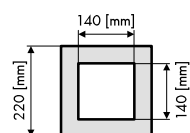


Fig. 10. Type AP-3.

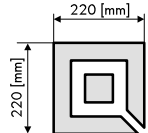


Fig. 11. Type AP-5.

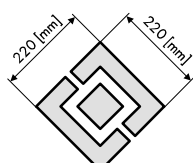


Fig. 12. Type AP-6.

AP-7 – horizontal decorative motifs in stainless steel are installed in ribs and joints on the bottom and middle panels. Available only with the W rib for the top panel. Available for garage doors with the W and G ribs in Silkline (RAL 7016, RAL 9016), Smoothgrain (golden oak, nut brown), and Sandgrain (antracyt) structure.

For garage door widths:

- $2960 \leq S_o \leq 5500$, two-piece decorative motifs are available,
- $5500 < S_o$ three-piece decorative motifs are available.

The decorative motif pieces on one garage door are joined at the same garage door width. Not available for garage doors with the Alu panel, wicket, and portholes (for the W panel) and for garage doors when matched to the garage doors with a wicket.

Omega extra reinforcement profile

A special steel profile installed on the inner panel side to stiffen the door leaf.

Standard installation of the Omega reinforcement profile:

- $6000 \geq S_o \geq 5501$ – Omega reinforcement on each panel
- $5500 \geq S_o \geq 5001$ – 2 per the door leaf; installed on the first and second top panels;
- $5000 \geq S_o \geq 4500$ – 1 per the door leaf; installed on the first top panel.

The Omega reinforcement profile reduces the clear passage height by ca. 60 mm.

Note! The Manufacturer allows one extra reinforcement profile per door leaf in addition to the standard installation of the profile. The reinforcement profile is installed on the top or bottom panel. Does not apply to the $6000 \geq S_o \geq 5501$ range

Protection features

- the panels are specially profiled at the joints to prevent finger trapping,
- cable break safety device as standard,
- protection preventing the door leaf from falling in case of spring break,
- flexible internal covers for panel joints.

Frame fastening bracket

The brackets are installed on the frame side (external) approx. each 500 [mm]. The door frames above the opening height H_o shall be fastened directly to the lintel (without the brackets). The brackets are available in sets of 12 pcs.

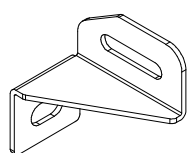


Fig. 13. Fastening bracket (art. no. 53443).

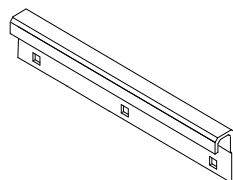


Fig. 14. Roller gripper.

Roller gripper

It allows increasing clear opening height when the door is open. It is installed at the end of horizontal rails, at the edge suspension brackets.

Roller gripper is a standard equipment for manually-operated doors:

- with Sp and St track systems and $H_o < 2100$ [mm],
- with Sj track system.

Additional mounting kit for the top fascia panel

When wide thermal insulation is provided on the lintel, additional mounting kit for the top fascia panel can be used.

Required lintel min. 140mm

Not compatible with the PRIME garage door.

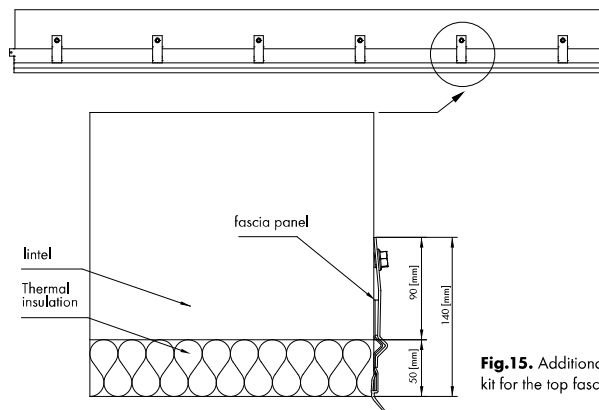
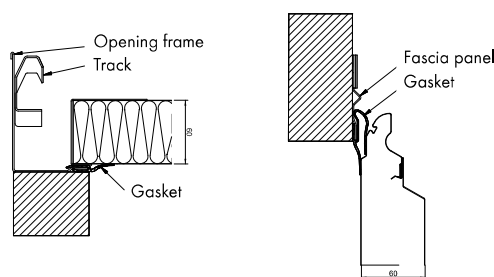


Fig. 15. Additional mounting kit for the top fascia panel.

Circumferential seals

Standard seal – all doors fitted with a lintel fascia panel are fitted with a double-lip top gasket that ensures a proper seal between the door leaf and the lintel, as well as individual side gaskets.



Thermal seal – additionally makes it possible to separate steel structure elements (frames, fascia panels) from the wall surface.

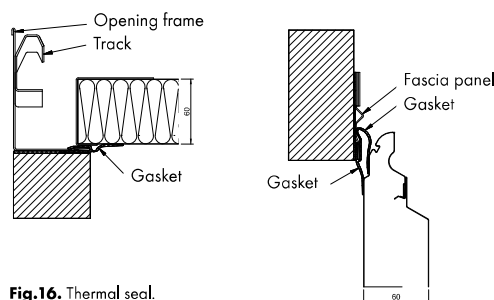


Fig. 16. Thermal seal.

Finishing thermal seal – makes it possible to provide an aesthetic finish of the garage opening thermally insulated with a layer of polystyrene or Styrodur by eliminating the clearance between the thermal insulation layer and the door leaf surface, while at the same time improving the seal of the door.

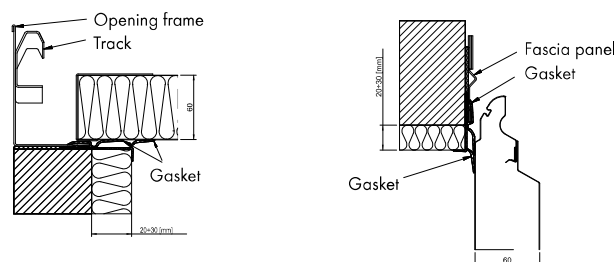


Fig. 17. Finishing thermal seal.

Pre-installation for automatic bolting

The set includes: steel cable, panel bracket. Only applies to UniTherm doors with $S_o \leq 5500$ fitted with a lock.

Preparation for drive unit

An option allows to equip the manual door with a drive unit (standard dimensions). Option not necessary for doors in special dimensions.

Automatic bolting with lock

The set includes: door lock, steel cable, panel bracket. The lock with the bolting system is adapted for coupling with the drive which automatically locks the door after closing it. Only applies to UniTherm SSp doors with $S_o \leq 5500$.

Assembly dimensions

The minimum garage door dimensions: $S_o = 2000$ [mm] and $H_o = 1800$ [mm]

Assembly dimensions

The minimum garage door dimensions: $S_o = 2000$ [mm] and $H_o = 1800$ [mm]

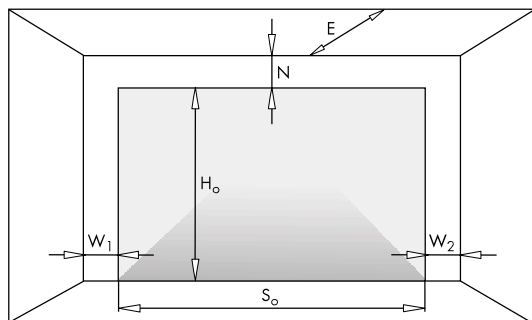


Fig.18. The assembly dimensions and their designation required for correct selection and assembly of WIŚNIEWSKI sectional garage doors.

S_o - opening width, ordering dimension,

S_j - clear width with the door installed,

H_o - opening height, ordering dimension,

H_j - clear height with the door installed,

N - required minimum headroom,

W_1 - required minimum side room,

W_2 - required minimum side room,

E - minimum garage depth with free space under the ceiling,

L_s - drive rail length.

		UniTherm		
		SSp	SSt	SSj
S_j		$S_o - 40$ [mm]	$S_o - 40$ [mm]	$S_o - 40$ [mm]
H_j	Manual	$H_o - 280$ [mm]	$H_o - 190$ [mm]	—
	Manual + Roller gripper	$H_o - 140$ [mm]	$H_o - 140$ [mm]	H_o
	With MOTO drive	$H_o - 100$ [mm]	$H_o - 140$ [mm]	H_o
	With METRO drive	$H_o - 100$ [mm]	$H_o - 140$ [mm]	H_o
W_{1min}, W_{2min}		110 [mm]		
E_{min}	Manual	$H_o + 400$ [mm]	$H_o + 750$ [mm]	$H_o + 400$ [mm]
	With MOTO drive	$L_s + 300$		
	With METRO drive	$L_s + 410$		

Door standard height [mm]	N _{min} [mm]					
	SSp		SSt		SSj	
	Manual	Automatic	Manual	Automatic	Manual	Automatic
2000	200	200	105	140	400	400
2100	200	200	105	140	400	400
2125	200	200	105	140	400	400
2200	220	220	115	150	410	410
2250	200	200	105	140	400	400
2375	200	200	105	140	400	400
2500	200	200	105	140	400	400
Door non-standard height	200	200	105	140	400	400

Tab. 2. Required minimum headroom for UniTherm garage doors.